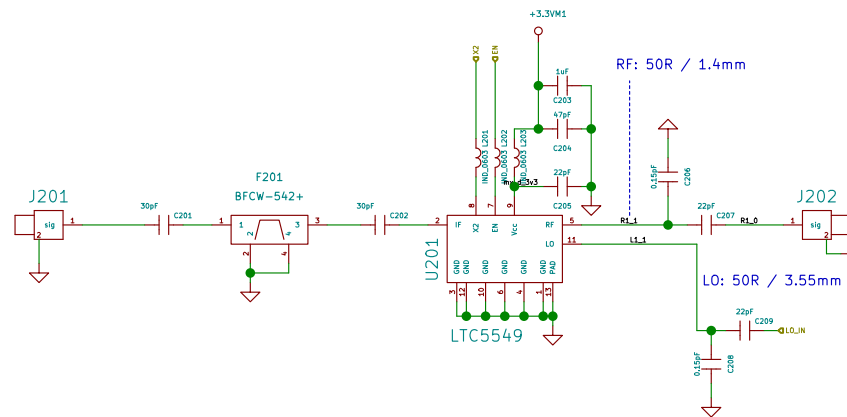


Sheet: /		
File: Converter_Head.sch		
Title: Digital 10 GHz Super Keyer		
Size: A3	Date: 2020-10-04	Rev: 1.0
KiCad E.D.A. kicad 5.1.9-73d0e3b20d88ubuntu18.04.1		Id: 1/4

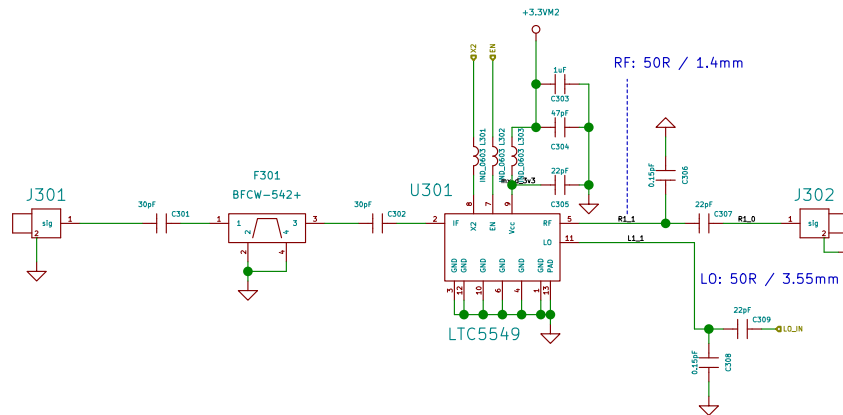


Sheet: /Mixer 1/
 File: mixer_1.sch

Title: Digital 10 GHz Super Keyer

Size: A4 Date: 2020-10-04
 KiCad E.D.A. kicad 5.1.9-73d0e3b20d88ubuntu18.04.1

Rev: 1.0
 Id: 2/4

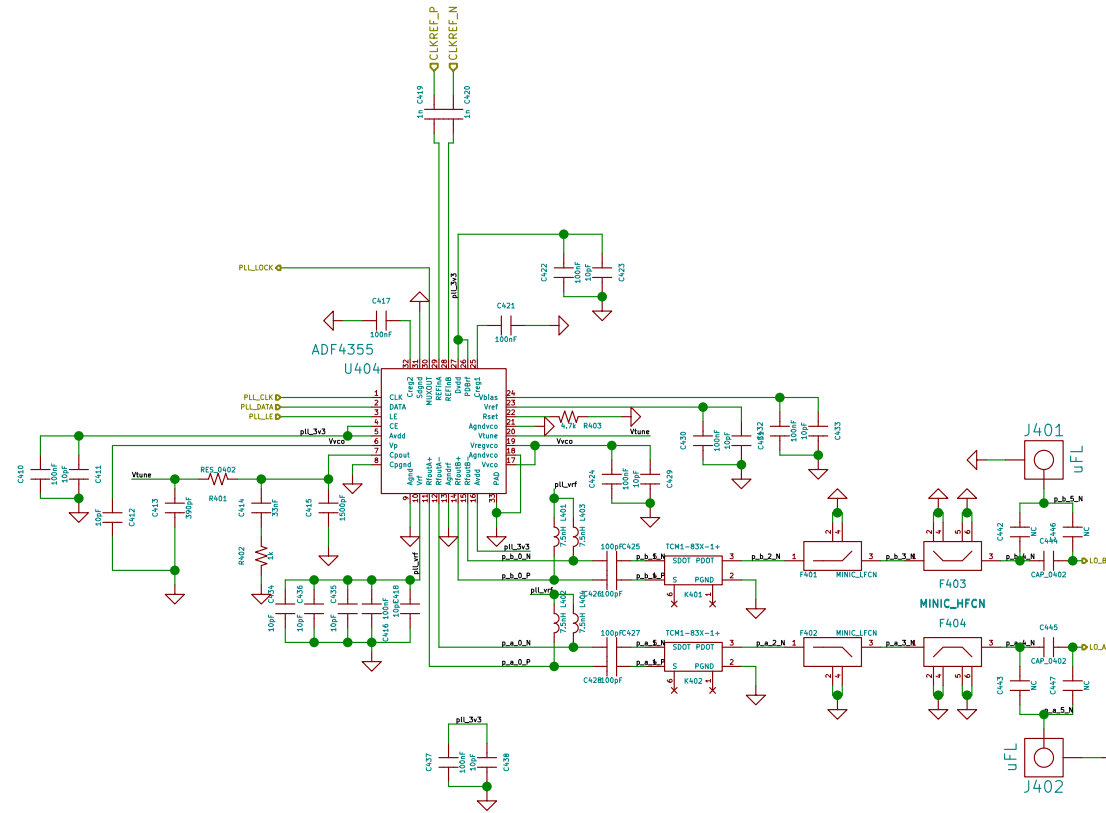


Sheet: /Mixer 2/
 File: mixer_2.sch

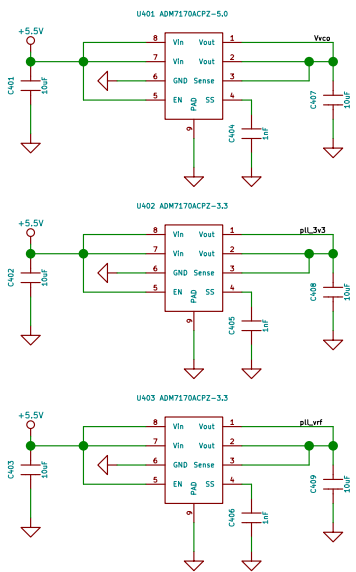
Title: Digital 10 GHz Super Keyer

Size: A4 Date: 2020-10-04
 KiCad E.D.A. kicad 5.1.9-73d0e3b20d88ubuntu18.04.1

Rev: 1.0
 Id: 3/4



PLL Power



Sheet: /ADF4355 PLL/
File: ad4355.sch

Title:

Size: A4 Date:
KiCad E.D.A. kicad 5.1.9-73d0e3b20d88ubuntu18.04.1

Rev:
Id: 4/4